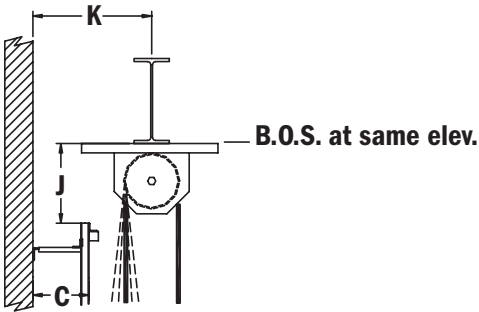


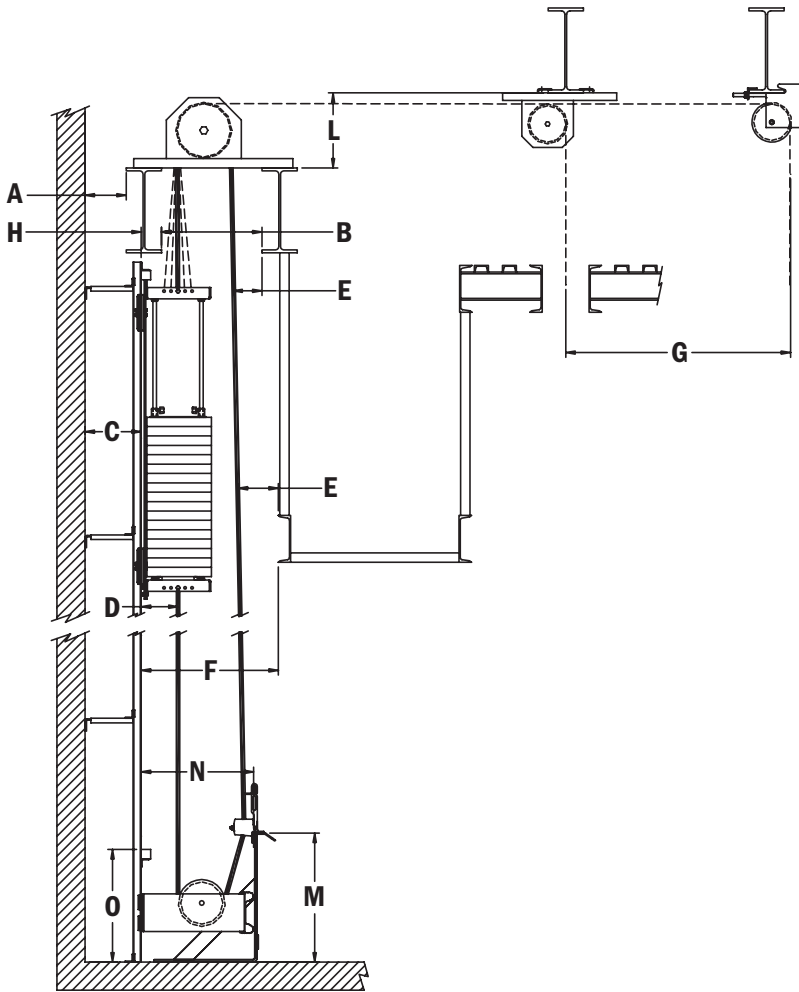
# Recommended Mounting Dimensions

## Underhung Head Block: Single Beam

(Welding Recommended)



## Upright Head Block: Double Beam

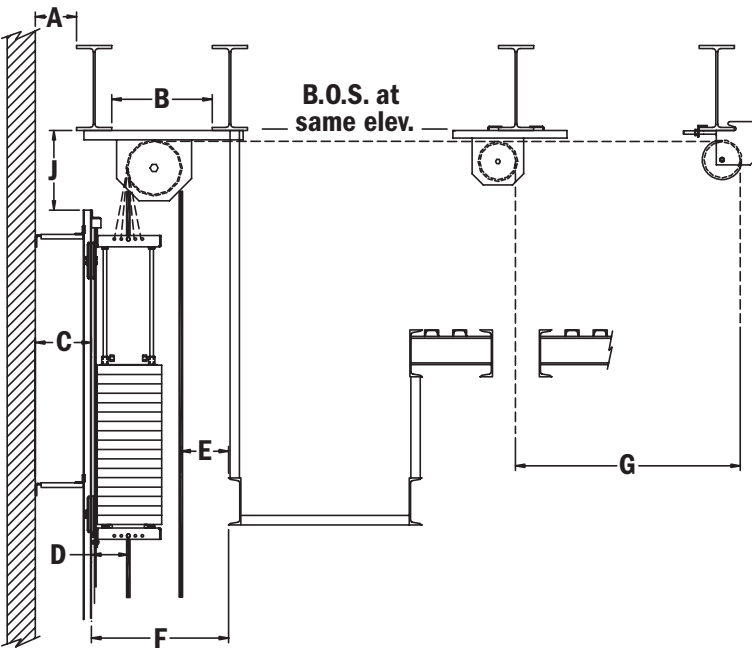


## Floor Mounted Lock Rail

Dim	Description	Value
A	Wall Clearance	3" MIN
B	Beam Spacing	18" TO 22"
C	Wall to Face of T or J Guide	8" TO 20"
D	Face of T or J Guide to Center of Arbor	7-7/8"
E	Clearance of Handlines to Adjacent Structures	3" TO 5"
F	Face of T or J Guide to Edge of Loading Gallery	22" TO 25"
G	Liftline/Loft Block Beam Spacing	10' MAX
H	Face of T or J to Edge of Beam Flange of Offstage Head Beam	5" MAX
J	B.O.S. Head Block Beam to Top of Guide	18" MIN
K	Wall to Center of Single Head Block Beam	19-1/2" MIN
L	T.O.S. Head Block Beam to Blocks B.O.S. Loft Block Beams	16" for 12" Head Blocks 12" for 8" Loft Blocks
M	Floor to Top of Lockrail	27-1/2"
N	Face of T or J Guide to Back of Lockrail	24"
O	Floor to Top of the Bottom Arbor Stop	24" MIN
P	Wall to Edge of Arbor Pit Opening	= N + C
Q	Face of T or J Guide to Arbor Pit Wall	36" MIN

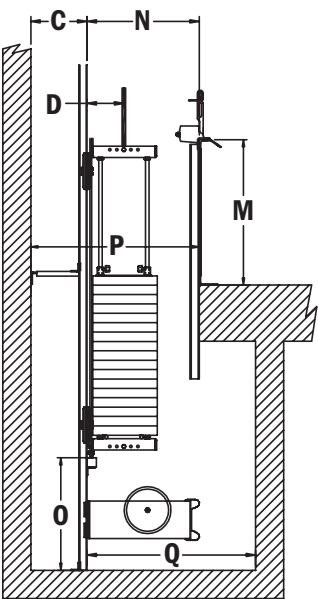
# Recommended Mounting Dimensions

## Underhung Head Block: Double Beam



Dim	Description	Value
-----	-------------	-------

A	Wall Clearance	3" MIN
B	Beam Spacing	18" TO 22"
C	Wall to Face of T or J Guide	8" TO 20"
D	Face of T or J Guide to Center of Arbor	7-7/8"
E	Clearance of Handlines to Adjacent Structures	3" TO 5"
F	Face of T or J Guide to Edge of Loading Gallery	22" TO 25"
G	Liftline/Loft Block Beam Spacing	10' MAX
H	Face of T or J to Edge of Beam Flange of Offstage Head Beam	5" MAX
J	B.O.S. Head Block Beam to Top of Guide	18" MIN
K	Wall to Center of Single Head Block Beam	19-1/2" MIN
L	T.O.S. Head Block Beam to Blocks B.O.S. Loft Block Beams	16" for 12" Head Blocks 12" for 8" Loft Blocks
M	Floor to Top of Lockrail	27-1/2"
N	Face of T or J Guide to Back of Lockrail	24"
O	Floor to Top of the Bottom Arbor Stop	24" MIN
P	Wall to Edge of Arbor Pit Opening	= N + C
Q	Face of T or J Guide to Arbor Pit Wall	36" MIN



## Arbor Pit Mounted Lock Rail